

2025

Spa & Hot Tub Operator's Guide

This manual includes
Installation, Operation, Maintenance and Safety Information



English Manual

⚠ NOTE

SAVE THESE IMPORTANT SAFETY INSTRUCTIONS

This manual contains important safety, operating, and installation instructions - read before installing or operating spa.

Welcome New Spa Owners

Dear Spa Owner:

Congratulations on your purchase of a new spa. You now possess the ultimate passport to tranquility - a daily vacation at home, ready and waiting for you in your own backyard!

We want you to enjoy your spa. Many hours of research have gone into the design of your spa to ensure the ultimate in hydrotherapy and relaxation. Only the highest quality components have been used to ensure years of trouble free operation. Your comfort and enjoyment have been designed into your spa from the start.

Please take the time to read through this Operator's Guide. In it you will find guidelines on caring for your spa, a complete explanation of the controls, safety instructions, a trouble-shooting section, and lots more.

Thank you for your business and your confidence in our company. We look forward to serving you!



Scan the qr code if you need to replace the owner's manual.

Your Dealers Information

Table of Contents

SAFETY INSTRUCTIONS	4-11	FILTER LOCATIONS/ MAINTENANCE	23-24	SPA WATER MAINTENANCE	33-36
<ul style="list-style-type: none"> • WARNING TAGS • Important Safety Instructions • Read and Follow 		<ul style="list-style-type: none"> • Dual Filters / Single Filters • Cleaning and Replacing Filter Cartridge • Enclosed Style • Open Style 		<ul style="list-style-type: none"> • Cleaning Your Spa Water • Filling Spa with Water • Water Testing • Balance 	
BASIC INFORMATION	12	GENERAL SPA MAINTENANCE	25-26	WINTERIZING / SPRING START UP YOUR SPA	36-37
GFCI 120V CONNECTIONS	13	<ul style="list-style-type: none"> • Suction Cover • Protect Your Cover • Protect Your Pillows • Maintain Spa Fountain Jets • Protect Your Surface 		<ul style="list-style-type: none"> • How to Winterize • How to Start-up 	
NORTH AMERICAN ELECTRICAL REQUIREMENTS	14-16	SPA TERMINOLOGY	27-32	TOPSIDE CONTROLS	38
EUROPEAN ELECTRICAL REQUIREMENTS	17-18	<ul style="list-style-type: none"> • Jets • Water Diverter Valve • Fountain Control • Waterfall Control • Air Control • Equipment Access Panel • Access Panels • Draining your Spa • Weir Gate • Spa Light • Spa Heater • Gate Valves • Main Pump • Secondary Pump • Third Pump • Circulation Pump • Ozonator 		GENERAL FUNCTIONS	39-41
SET-UP AND DELIVERY GUIDELINES	19-21			GENERAL DIAGNOSTIC MESSAGE	42-43
<ul style="list-style-type: none"> • Surface & Pad Requirements • Balcony & Deck Requirements • Access Clearance • Outdoor Installation • Indoor Installation • Electrical Requirements 				TROUBLESHOOTING	44-45
PRE OPERATION INSTRUCTIONS	22			WARRANTY SUMMARY	46
<ul style="list-style-type: none"> • Priming Pump 				<ul style="list-style-type: none"> • Disclaimer • Safety Sign • Spa Manufacturer 	

This Operator’s Guide utilizes the following symbols to emphasize particular information.



The Safety Alert Symbol indicates a potential hazard

⚠ WARNING
⚠ CAUTION
⚠ NOTE

SAFETY DO'S AND DONT'S

DO

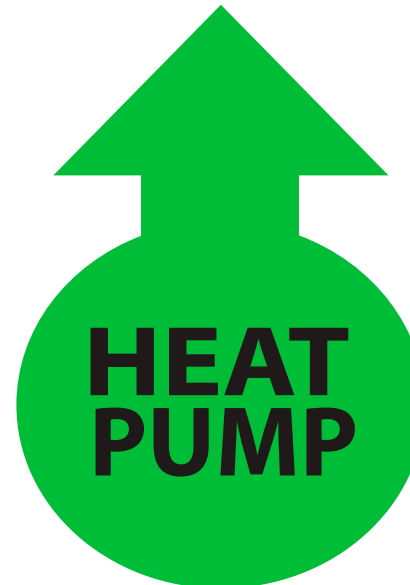
- DO read all operating instructions.
- DO read, understand and follow all safety, danger and warning instructions before use.
- DO test water temperature with your hand before entering.
- DO check regularly that the suction covers are properly secured and have not expired.
- DO keep the cover down when the spa remains unused.

The spa manufacturer shall provide instruction that the spa shall be secured to protect against unauthorized access per local codes.

DO NOT

- DO NOT block or sit on the filter recess area.
- DO NOT allow horseplay or unsupervised use of your spa.
- DO NOT allow anyone to tamper or play with any of the safety or suction fittings of your spa.

WARNING / CAUTION TAGS DIAGRAM



If Spa is Equipped with Heat Pump



WARNING / CAUTION TAGS DIAGRAM

ATTENTION

IMPROPER WIRING WILL VOID WARRANTY

WIRING REQUIREMENTS:

- 2-Hots, 1-Neutral, 1-Isolated Ground
- 4 Wire #6 AWG minimum 75°C copper conductor

Note: The white neutral wire from the back of the GFCI MUST be connected to an incoming line neutral. The internal mechanism of the GFCI requires this neutral connection. The GFCI will not work without it.

SPA CONTROL BOX

Y-SERIES

Refer to Manual

02262025 GFCI TAG

ATTENTION

UNE CONNECTION INADEQUATE ANNULERA LA GARANTIE

CABLAGE REQUIS:

- 2-Lignes, 1 Neutre et 1 Mise à Terre (Ground) isolé
- 4 Fils #6 AWG en cuivre min. 75°C est requis lorsque

Note: Le fil de neutre (blanc) provenant de l'arrière du disjoncteur doit être connecté à un fil de neutre entrant. Le mécanisme interne du disjoncteur a besoin de cette connexion. Le disjoncteur ne fonctionnera pas sans celle-ci.

BOITIER DU SPA

Y-SERIES

Se référer au manuel

02262025 GFCI TAG

WARNING

DURING PREGNANCY, SOAKING IN HOT WATER MAY CAUSE DAMAGE TO THE FETUS. LIMIT USE TO 10 MINUTES AT A TIME.

PREVENT DROWNING

SPA HEAT SPEEDS UP THE EFFECTS OF ALCOHOL, DRUGS OR MEDICINE AND CAN CAUSE UNCONSCIOUSNESS. IMMEDIATELY LEAVE SPA IF UNCOMFORTABLE OR SLEEPY.

PREVENT CHILD DROWNING

WATER ATTRACTS CHILDREN. ALWAYS ATTACH A SPA COVER AFTER EACH USE.

AVERTISSEMENT!

PENDANT LA GROSSESSE, SE Baigner dans une eau chaude peut nuire à la santé du fœtus. Limitez le temps de baignade à 10 minutes.

RISQUE DE NOYADE

LA CHALEUR DU SPA ACCÉLÈRE LES EFFETS DE L'ALCOOL, DE DROGUES OU DE CERTAINS MÉDICAMENTS, ET PEUT PROVOQUER UNE PERTE DE CONNAISSANCE. SORTIR DU SPA IMMÉDIATEMENT SI VOUS VOUS SENTEZ MAL OU ÉTOURDI.

RISQUE DE NOYADE POUR LES ENFANTS

L'EAU ATTIRE LES ENFANTS. PENSEZ TOUJOURS À ATTACHER LA COUVERTURE DE VOTRE SPA APRÈS CHAQUE UTILISATION.

02262025 - VIT

ATTENTION/ATTENTIE/ATTENZIONE

INSTALL FILTERS BEFORE FILLING SPA!:

1. Remove filters from plastic bag.
2. Carefully thread filters into fittings
3. DO NOT OVERTIGHTEN. A snug fit is all that is required.

AVANT DE METTRE DE L'EAU:

1. Enlever le plastique sur les cartouches de filtration.
2. Visser les cartouches dans l'emplacement.
3. NE PAS SERRER TROP FORT, il suffit d'ajuster les cartouches.

INSTALE FILTROS ANTES DE LLENAR EL SPA!:

1. Saque los filtros de la bolsa de plástico.
2. Con cuidado, instale los filtros en sus emplazamientos.
3. NO LOS APRETE DEMASIADO. Basta con ajustarlos.

02262025 - FN

CAUTION/PAS OP/ATTENZIONE

Please avoid using any spa chemicals that contain Tri Chlorine. Tri Chlorine based spa chemicals have been found to react adversely with the materials used to produce these components. We recommend the use of Chlorine and Bromine based products only. Any structural and/or cosmetic jet failure linked to the use of Hydrogen Peroxide based products will not be covered under your warranty. Please consult your Dealer for approved chemical options.

Merci de ne pas utiliser de produits chimiques pour spas contenant du trichlore. Les produits pour spas à base de Peroxide d'hydrogene produisent une réaction chimique qui va détériorer les jets. Nous recommandons l'utilisation de produits à base de Chlore ou de Brome seulement. Aucun jet détérioré avec du trichlore ne pourra être couvert par la garantie. Merci de consulter votre revendeur pour obtenir des conseils sur les produits chimiques compatibles.

Por favor, no utilice ningún producto químico que contenga agua oxigenada. Se ha comprobado que este tipo de productos químicos reaccionan negativamente con los materiales utilizados para producir estos componentes. Recomendamos el uso de productos exclusivamente basados en cloro y bromo. Cualquier avería o fallo de los jets relacionada con el uso de productos basados en agua oxigenada no quedará cubierta por la garantía. Por favor, consulte con su distribuidor para obtener información sobre los productos químicos compatibles.

02262025 CJT

WARNING

REDUCE THE RISK OF ELECTROCUTION

1. Never place an electric appliance within 5 feet of spa.

REDUCE THE RISK OF CHILD DROWNING

1. Supervise children at all times.
2. Attach spa cover after each use.

REDUCE THE RISK OF OVERHEATING

1. Check with a doctor before use if pregnant, diabetic, in poor health, or under medical care.
2. Exit immediately if uncomfortable, dizzy, or sleepy. Spa heat can cause hyperthermia and unconsciousness.
3. Spa heat in conjunction with alcohol, drugs or medication can cause unconsciousness.

WHEN PREGNANT Soaking in hot water for long periods can harm your fetus. Measure water temperature before entering.

1. Do not enter spa if water is hotter than 104° F (40° C).
2. Do not stay in spa for longer than 10 minutes.

02262025 WS

Information for Permanent Installation

CONFORMS TO: UL STD 1563
CERTIFIED TO: CSA STD C22.2 NO. 218.1

MODEL NO. []
SERIAL NO. []
DATE OF MAN. []

CSA ENCLOSURE TYPE 3 FOR INDOOR/OUTDOOR USE

Intertek 9801203

Electrical Ratings

Pack: YE	Pack: YT
VOLTS: 240	VOLTS: 240
HERTZ: 60	HERTZ: 60
AMP: 40 or 48	AMP: 40 or 48
PHASE: 1	PHASE: 1

FLOW RATE: 190 GPM

Attached GFCI cord is removable for Permanent installation

Must be GFCI protected 680.44 (NEC)
Must be at or above grade to meet "Self Contained Guidelines"

02262025 ET

DYNASTY SPAS Dynasty Spas • Athens • Tennessee • USA

L'information pour l'installation permanente

CONFORME À: UL DST 1563
CERTIFIÉ À: NO. 218.1 DE CSA DST C22.

NO. DE MODÈLE: []
NO. DE SÉRIE: []
DATE DE FABRICATION: []

Boîtier CSA Type 3 pour utilisation interne et externe

Intertek 9801203

Caractéristiques électriques

Contrôleur: YE	Contrôleur: YT
VOLTS: 240	VOLTS: 240
FRÉQUENCE: 60	FRÉQUENCE: 60
AMPÉRAGE: 40 ou 48	AMPÉRAGE: 40 ou 48
PHASE: 1	PHASE: 1

DÉBIT: 190 GPM

Le disjoncteur de fuite à la terre est démontable pour l'installation permanente

Doit être protégé par un disjoncteur différentiel (GFCI) 680.44 (NEC). Doit être au niveau du sol ou au-dessus pour respecter les "Directives pour l'autonomie"

02262025 ET

DYNASTY SPAS Dynasty Spas • Athens • Tennessee • USA

AVERTISSEMENT

POUR RÉDUIRE LES RISQUES D'ÉLECTROCUTION

1. Ne jamais placé un appareil électrique à moins de 5 pieds du spas.

POUR RÉDUIRE LES RISQUES DE NOYADE CHEZ LES ENFANTS.

1. Surveiller les enfants en tout temps
2. Attacher le couvert du spa après usage.

POUR RÉDUIRE LES RISQUES DE SURCHAUFFE

1. Si vous êtes enceinte, diabétique, en mauvaise santé ou sous suivi médical, consulter votre docteur avant l'utilisation.
2. Sortir immédiatement du spa si vous êtes inconfortable, ressentez un malaise ou vous endormez, la chaleur du spa peut causer de l'hyperthermie et des pertes de consciences.
3. La chaleur du spa, la consommation de drogues et d'alcool ou de médicaments peut causer des pertes de conscience.

LORSQU'ENCEINTE LA BAINNADE DANS L'EAU CHAUDE PENDANT UNE LONGUE PÉRIODE PEUT ÊTRE NUISIBLE AU FETUS. TOUJOURS VÉRIFIER LA TEMPÉRATURE AVANT D'ENTRER.

1. Ne pas utiliser le spa si la température est plus élevée que 104 F (40c).
2. Ne pas rester dans le spa plus de 10 minutes.

02262025 WS

SAFETY INSTRUCTIONS

SAVE THESE INSTRUCTIONS

Included with your new spa is a safety sign. The sign is for you and your guest's protection and is suitable for outdoor use in wet locations. The sign should be placed in a location visible to all users of the spa.

Please take time to point out the physical location of the safety sign and the importance of the safety precautions displayed on the safety sign to all of

your guests. Remember, your safety and the safety of anyone who enjoys the use of your spa is our utmost concern.

The sign should be mounted with screws or another type of permanent fastener. Additional or replacement signs can be obtained from your dealer or direct from our factory.

NO CLIMBING OR WALKING ON TOP RAIL

! DANGER

**SHALLOW WATER
NO DIVING - NO JUMPING
DIVING OR JUMPING MAY
CAUSE DEATH, PARALYSIS OR
PERMANENT INJURY**

**FAILURE TO FOLLOW THESE RULES
MAY CAUSE DEATH, PARALYSIS OR PERMANENT INJURY**

HOW TO PREVENT DIVING/JUMPING ACCIDENTS

- This is a non-diving pool/swim spa system.
- Do not dive or jump into this pool/swim spa under any circumstances.
- Do not utilize sliding equipment with this pool/swim spa system.
- Do not utilize diving equipment with this pool/swim spa system.

HOW TO PREVENT CHILD DROWNING ACCIDENTS

- Children must be constantly and closely supervised when using the pool/swim spa system.
- Children must not be allowed in the pool/swim spa system area without an adult being present.
- The pool/swim spa system cover must be closed and locked when the pool/swim spa system is not being used.
- Portable ladders must be removed when not in use.
- Limited access ladders must be removed or latched in the raised position when not in use.

HOW TO PREVENT OTHER ACCIDENTS

- Do not swim alone.
- Do not use the pool/swim spa system if you taken drugs or consumed alcohol.
- Non-swimmers must stay in the shallow end of the pool/swim spa system.

For additional Information please read the safety and usage information supplied in the Installer/Owner envelope.

EMERGENCY PHONE NUMBER

02262025 DS 11X17

NE PAS GRIMPER NI MARCHER SUR LA MARGELLE

! DANGER

**EAU PEU PROFONDE
NE PAS PLONGER - NE PAS SAUTER**

**LES PLONGEONS ET LES SAUTS
POURRAIENT CAUSER LA MORT,
LA PARALYSIE OU DES BLESSURES PERMANENTES**

**LE NON-RESPECT DE CES RÈGLES POURRAIT CAUSER
LA MORT, LA PARALYSIE OU DES BLESSURES PERMANENTES**

COMMENT PRÉVENIR LES ACCIDENTS

- Il est interdit de plonger dans cette piscine / ce spa.
- En toutes circonstances, ne pas plonger dans cette piscine / ce spa.
- Ne pas utiliser de glissade avec cette piscine / ce spa.
- Ne pas utiliser d'équipement de plongeur avec cette piscine / ce spa.

COMMENT PRÉVENIR LES NOYADES D'ENFANTS

- Les enfants doivent être surveillés et supervisés en tout temps lorsqu'ils utilisent la piscine / le spa.
- Les enfants ne doivent pas avoir accès à la piscine / au spa sans la présence d'un adulte.
- La piscine / le spa doit être fermé(e), inaccessible et / ou verrouillé(e) lorsque personne ne le / les utilise.
- Les marches et échelles escamotables doivent être retirées lorsque personne n'utilise la piscine / le spa.
- Les échelles / marches à accès contrôlé doivent être enlevées ou fixées de manière à demeurer inaccessibles lorsque personne n'utilise la piscine / le spa.

COMMENT PRÉVENIR LES AUTRES ACCIDENTS

- Ne jamais se baigner seul(e).
- Ne pas utiliser la piscine / le spa sous l'effet de l'alcool ou des drogues.
- Les gens qui ne savent pas nager doivent demeurer dans la partie peu profonde de la piscine / du spa.

Pour plus d'information, veuillez lire les renseignements sur l'utilisation et sur la sécurité qui ont été fournis dans la trousse d'installation / le guide du propriétaire.

TÉLÉPHONE D'URGENCE

02262025 DS 11X17

IMPORTANT SAFETY INSTRUCTIONS

SAVE THESE INSTRUCTIONS

WARNING: Pregnant or possibly pregnant women should consult a physician before using a spa or hot tub.

WARNING: Water temperature in excess of 104°F (40°C) may be injurious to your health.

WARNING: Before entering the spa or hot tub measure the water temperature with an accurate thermometer.

WARNING: Do not use a spa or hot tub immediately following strenuous exercise.

WARNING: Prolonged immersion in a spa or hot tub may be injurious to your health.

WARNING: Do not permit electric appliances (such as a light, telephone, radio, or television) within 1.5 M of this spa or hot tub.

CAUTION: Maintain water chemistry in accordance with manufacturer's instruction.

The spa manufacturer shall provide instructions that the spa water shall be tested and treated in accordance with local codes.

WARNING!

When installing and using this electrical equipment, basic safety precautions should be followed, including the following:

IMPORTANT SAFETY INSTRUCTIONS

READ AND FOLLOW ALL INSTRUCTIONS

1. WARNING - To reduce the risk of injury, do not permit children to use this product unless they are closely supervised at all times.

2. DANGER-RISK OF CHILD DROWNING. Extreme caution must be exercised to prevent unauthorized access by children. To avoid accidents, ensure that children cannot use the spa unless they are supervised at all times.

NOTE: A wire connector is provided on this unit to connect a wire of a minimum No. 4 AWG minimum 75°C copper conductor between this unit and any metal equipment, metal enclosures of electrical equipment, metal water pipe, or conduct within 5 feet (1.52 m) of the unit.

3. DANGER - RISK OF ELECTRIC SHOCK. Install spa at least five (5) feet (1.52 m) from all metal surfaces. A spa may be installed within five (5) feet (1.52 m) of metal surfaces if, in accordance with the National Electrical Code / IEC, each metal surface is permanently connected by a minimum No. 4 AWG (6. mm) minimum 75°C copper conductor attached to the wire connector on the terminal box. A grounding lug is provided for this purpose.

4. DANGER - RISK OF INJURY. The suction fittings in this spa are sized to match the specific water flow created by the pump. Should the need arise to replace the suction fittings or the pump, be sure that the flow rates are compatible.

NOTE: Never operate the spa if the suction fittings are broken or missing. Never replace a suction fitting with one rated less than the flow rate marked on the original suction fitting.

5. DANGER - Failure to keep suction outlet components clear of debris, such as leaves, dirt, hair, paper and other material, can result in an increased potential for suction entrapment. Suction outlet components have a finite life. The cover/grate should be inspected frequently and replaced at least every seven years, or if found to be damaged, broken,

cracked, missing, or not securely attached.

If the fitting is missing or broken, replace with a fitting of equivalent rating or higher. Use of a lower rated suction fitting could result in entrapment of the body which could result in serious injury including drowning.

Do not use or operate spa/hot tub if this suction fitting is missing, broken or not secured per instructions. The suction fitting is intended to prevent entrapment of the body. Use of the spa/hot tub with a missing, broken or improperly secured suction great may result in serious injury including drowning.

When the spa or hot tub is in operation, suction at this fitting. Users of the spa or hot tub must not to come in contact with this fitting in such a way as to block its orifice. If a user of the spa or hot tub blocks this fitting with his/her body, serious personal injury or drowning may occur.

6. WARNING - Install the spa so that water can be easily drained out of the compartment containing electrical components so as not to damage equipment. Also, when installing spa, allow at least 2 feet of clearance around the perimeter of the spa to provide enough room to access for servicing. Contact your local dealer for their specific requirements.

7. WARNING-TO REDUCE THE RISK OF INJURY:

- **REMINDER** - Never allow anyone to dive into a spa. Always enter feet first.

- Always enter and exit a spa slowly.

- Do not use the spa alone.

- Before entering the spa, always measure the water temperature with an accurate thermometer. Tolerance of water temperature regulating devices can vary as much as plus/minus 5° F (3° C).

IMPORTANT SAFETY INSTRUCTIONS

7. WARNING-TO REDUCE THE RISK OF INJURY (CONT.):

- Persons suffering from obesity or with a medical history of heart disease, diabetes, high or low blood pressure or circulatory system problems should consult a physician before using a spa.
- Since excessive water temperatures have a high potential for causing fetal damage during early months of pregnancy, pregnant or possibly pregnant women should limit spa water temperatures to 104° F (40° C).
- Excessive water temperature can be dangerous. The water in the spa should never exceed 104° F (40° C). Water temperatures between 100° F (38° C) and 104° F (40° C) are considered safe for a healthy adult. Lower water temperatures are recommended for extended use

(exceeding 10 minutes) and for young children. Long exposures at higher temperatures can result in Hyperthermia.

- The use of alcohol, drugs or medication before or during spa use may lead to unconsciousness with the possibility of drowning.
- Persons using medication should consult a physician before using a spa since some medication may induce drowsiness while other medication may affect heart rate, blood pressure and circulation.
- Children's body temperature can increase more rapidly than adults in the same water with elevated temperatures (above 99° F). Children should spend less time in water above body temperature than adults.

WARNING!

Hyperthermia: Hyperthermia occurs when the internal temperature of the body reaches a level several degrees above the normal body temperature of 98.6° F.

THE SYMPTOMS OF Hyperthermia INCLUDE:

- Dizziness
- Fainting
- Drowsiness
- Lethargy
- Increase in internal body temperature

THE EFFECTS OF Hyperthermia INCLUDE:

- Unawareness of impending hazard
- Failure to perceive heat
- Failure to recognize the need to exit spa
- Physical inability to exit spa
- Fetal damage in pregnant women
- Unconsciousness resulting in potential of drowning

8. WARNING - The use of alcohol, drugs or medication can greatly increase the risk of Hyperthermia in hot tubs and spas.

- The use of alcohol, drugs, or medication before or during spa use may lead to unconsciousness with the possibility of drowning.
- Persons using medication should consult a physician before using a spa since some medication may induce drowsiness while other

medication may affect heart rate, blood pressure, and circulation.

9. REMINDER - A safe temperature for swimming or aquatic exercise is around 80° (27° C).

NOTE - People with infections or sores should not use the spa. Warm and hot water temperatures may allow the growth of infectious bacteria if not properly disinfected.

IMPORTANT SAFETY INSTRUCTIONS

10. DANGER - RISK OF ELECTRIC SHOCK.

Do not permit any electric appliance, such as a light, telephone, radio or television within five (5) feet (1.52 m) of the spa. Never operate any electrical appliances from inside the spa or while wet.

11. WARNING - RISK OF SUFFOCATION.

If this spa is equipped with a heater, it is intended for outdoor use only, unless proper ventilation can be provided for an indoor installation.

12. CAUTION - RISK OF ELECTRIC SHOCK.

Do not leave the Audio compartment open.

13. CAUTION - RISK OF ELECTRIC SHOCK. Replace components only with identical components.

14. WARNING - PREVENT ELECTROCUTION.

Do not connect any auxiliary components (for example, additional speaker, headphones, additional audio/video components etc.) to the system.

These units are not provided with an outdoor antenna.

Do not service this product yourself as opening or removing covers may expose you to dangerous voltage or other hazards. Refer all servicing to your qualified spa tech.

If the power supply cord(s) are damaged, if water is entering the speaker, Audio compartment, or any other component in the electrical equipment compartment area, the protective shield is showing signs of deterioration, or there are signs of other potentially hazardous damage to the unit, turn off the circuit breaker from the wall and contact or refer to your service technician.

The unit should be subject to periodic routine maintenance once every quarter to make sure that the unit is operating properly. (see page 25)

15. DANGER - RISK OF ELECTRIC SHOCK.

Do not permit any electric appliance, such as a light, telephone, radio or television within five (5) (1.52 m) feet of the spa.

A green colored terminal or a terminal marked G, GR. Ground, Grounding or the symbol shown in Figure 14.1 of UL1563 is located inside the supply terminal box or compartment. To reduce the risk of electric shock, this terminal must be connected to the grounding means provided in the electric supply service panel with a continuous copper wire equivalent in size to the circuit conductors supplying this equipment.

Two lugs marked "Bonding Lugs" are provided on the external surface or on the inside of the supply terminal box or compartment. To reduce the risk of electric shock, connect the local common bonding grid in the area of the spa to these terminals with an insulated or bare copper conductor not smaller than No. 4 AWG.

All field-installed metal components such as rails, ladders, drains or other similar hardware with 3m of the spa shall be bonded to the equipment grounding bus with copper conductors not smaller than No. 4 AWG.

CAUTION - Read the instruction manual.

CAUTION - Adequate drainage must be provided if the equipment is to be installed in a pit, or equivalent.

WARNING - Water temperature in excess of 104°F (40°C) may be injurious to your health.

WARNING - Disconnect the electric power before servicing.

IMPORTANT SAFETY INSTRUCTIONS

WARNING: Children should not use spas or hot tubs without adult supervision.

WARNING: Do not use spas or hot tubs unless all suction guards are installed to prevent body and hair entrapment.

WARNING: People using medications and/or having an adverse medical history should consult a physician before using a spa or hot tub.

WARNING: People with infectious diseases should not use a spa or hot tub.

WARNING: To avoid injury, exercise care when entering or exiting the spa or hot tub.

WARNING: Pregnant or possibly pregnant women should consult a physician before using a spa or hot tub.

WARNING: Water temperature in excess of 104°F (40°C) may be injurious to your health.

WARNING: Before entering the spa or hot tub measure the water temperature with an accurate thermometer.

WARNING: Do not use a spa or hot tub immediately following Strenuous exercise.

WARNING: Prolonged immersion in a spa or hot tub may be injurious to your health.

WARNING: Do not permit electric appliances (such as a light, telephone, radio, or television) within 1.5 M of this spa or hot tub.

CAUTION: Maintain water chemistry in accordance with manufacturer's instruction.

Hyperthermia occurs when the internal temperature of the body reaches a level several degrees above the normal body temperature of 98.6°F (37°C). The symptoms of Hyperthermia include drowsiness, lethargy, and an increase in the internal temperature of the body. The effects of Hyperthermia include

- (a) unawareness of impending hazard
- (b) failure to perceive heat
- (c) failure to recognize the need to exit spa
- (d) physical inability to exit spa
- (e) fetal damage in pregnant women
- (f) unconsciousness and danger of drowning

WARNING: THE USE OF ALCOHOL OR DRUGS CAN GREATLY INCREASE THE RISK OF FATAL Hyperthermia IN HOT TUBS AND SPAS.

WARNING: DANGER Failure to keep suction outlet components clear of debris, such as leaves, dirt, hair, paper and other material, can result in an increased potential for suction entrapment. Suction outlet components have a finite life. The cover/grate should be inspected frequently and replace at least every seven years, or if found to be damaged, broken, cracked, missing, or not securely attached.

If the fitting is missing or broken, replace with a fitting of equivalent rating or higher. Use of a lower rated suction fitting could result in entrapment of the body which could result in serious injury including drowning.

Do not use or operate spa/hot tub if this suction fitting is missing, broken or not secured per instructions. The suction fitting is intended to prevent entrapment of the body. Use of the spa/hot tub with a missing, broken or improperly secured suction fitting may result in serious injury including drowning.

When the spa or hot tub is in operation, suction at this fitting. Users of the spa or hot tub must not to come in contact with this fitting in such a way as to block its orifice. If a user of the spa or hot tub blocks this fitting with his/her body, serious personal injury or drowning may occur.

SAVE THESE INSTRUCTIONS

BASIC INFORMATION

Congratulations on the purchase of your new spa. Our goal is to provide you with a warm and relaxing spa which incorporates a soothing water massage. In order to maximize the pleasure of your spa, you will need to understand how it works.

The following operating and maintenance instructions are very important and must be followed carefully. With proper care and maintenance your spa will provide you with years of satisfaction with minimum effort.

The pump and heater should be operated a minimum of two hours per day for cleaning and heating.

The length of time required to heat your spa to the desired water temperature will vary, depending on the air temperature, season, and wind velocity. We highly recommend using a vinyl hard cover to minimize heat loss and to protect your spa when not in use. Covers are available from your local spa dealer.

The replaceable filter cartridge is trouble free and easy to clean. A routine cleaning is the best practice. Make sure the pump is off, then remove the cartridge. Wash it off using a water hose with a pressure nozzle and then reassemble. This should be done on a monthly basis.

Keep the spa water level 2" (5 cm) above the skimmer. Never allow the water level to drop below the bottom of the skimmer opening. If the water level is too low, the skimmer will allow air into the water lines of the pump, causing it to lose its prime (water flow). Running the pump without water flow will damage the pump seal assembly and could possibly result in further equipment damage, which will not be covered under warranty.

You should clean your spa at least every 3-4 months. Drain the spa water and use a gentle liquid cleanser. DO NOT use hard brushes or abrasive cleaners. Fill with regular tap water and chemically treat the water for a clean and healthy spa.

The spa manufacturer shall provide instructions that the spa water shall be tested and treated in accordance with local codes.

CAUTION!

CAUTION: Cover must be kept on spa at all times when spa is not in use. Direct exposure to sunlight can damage plastic parts and interior surface, jets, or any interior components. Damage caused by exposure to the sun will not be covered under warranty.

WARNING!

Do not use soft water. It may harm your acrylic.

120 V SPAS W/GFCI

(For 120V units with a GFCI)

WARNING: This product is provided with a ground-fault circuit-interrupter

1. All **SPAS PACKS REQUIRE AN ISOLATED DEDICATED** circuit. No other appliances or lights on this circuit at any time.
2. **NO EXTENSIONS CORDS** are to be used in conjunction with the operation of the spa. Low voltage damage could result. All Electrical must meet any local electrical codes.
3. A Licensed electrician is not required to connect this . However a dedicated 15 AMP outlet is required.

WARNING – This product is provided with a ground-fault circuit-interrupter. The GFCI must be tested before each use. With the product operating, push the test button on the GFCI. The product should not operate. Push the reset button on the GFCI. The product should now operate normally. When the product fails to operate in this manner, there is ground current flowing, indicating the possibility of an electric shock. Disconnect the power until the fault has been identified and corrected by a licensed electrician.

DANGER!

- a) Replace damaged cord immediately.
- b) Do not bury cord.
- c) Connect to a grounded, grounding type receptacle only.

NORTH AMERICAN ELECTRICAL INSTALLATION REQUIREMENT'S

HAVE YOUR ELECTRICIAN READ THE FOLLOWING INFORMATION BEFORE INSTALLATION BEGINS

Electrical connections made improperly, or the use of wire incorrectly sized, may continually blow fuses in the electrical equipment box, may damage the internal electrical controls and components. Any of these conditions may be unsafe and will void the warranty.

It is the responsibility of the spa owner to ensure that electrical connections are made by a qualified electrician in accordance with the National Electrical code and any local and state electrical codes in force at the time of installation. This product shall be installed in accordance with local codes.

These connections must be made in accordance with the wiring diagrams found inside the control box. This equipment has been designed to operate on 60Hz, alternating current only, 240 volts are required. Make sure that power is not applied while performing electrical installation. A copper bonding lug has been provided on the electrical equipment pack to allow connection to local ground points. The ground wire must be at least 6 or 8 AWG copper wire and must be connected securely to a grounded metal surface such as a cold water pipe. The electrical supply for your spa must include a 60 AMP switch or circuit breaker to open all non-grounded supply conductors to comply with section 422-20 of the National Electrical Code. This disconnect must be readily accessible to the spas occupants, but installed at least five feet from the spa but within sight. A ground fault circuit interrupter (GFCI) must be used to comply with section 680-42 of the National Electrical Code. A GFCI is designed to automatically shut off power to a piece of equipment when a ground fault is detected.

Power hook-up to the spa must be a 240 volt 3 wire plus ground (6 AWG copper).

Route the cable into the equipment area for final hookup to terminals inside the control panel. To install the wiring for the in.ye spa control, you'll need a Phillips screwdriver and a flat screwdriver. Loosen the 2 screws in the Control box. Remove 5 1/2" of cable insulation, Strip away 1" of each wire insulation, Pull the cable through the cutout of the box and secure it with a strain relief (1" NPT strain relief; hole diameter: 1.335"). Make sure that only the uncut sheathing is clamped at this opening.

Push the color-coded wires into the terminals as indicated on the sticker and use the flat screwdriver to tighten the screws on the terminals.

After making sure wire connections are secure, push them back into the box and close the door. Tighten the 2 screws in the Control box.

Connect the bonding conductor to the bonding lug on the front of the in.xe Spa Pack

(a grounded electrode conductor shall be used to connect the equipment grounding conductors). The spa must be hooked up to a "dedicated" 240 volt, 60 amp breaker and GFCI. The term "dedicated" means the electrical circuit for the spa is not being used for any other electrical items (patio lights, appliances, garage circuits, etc.) If the spa is connected to a non-dedicated circuit, overloading will result in "nuisance tripping", which requires resetting of the breaker switch located in the house main electrical panel.

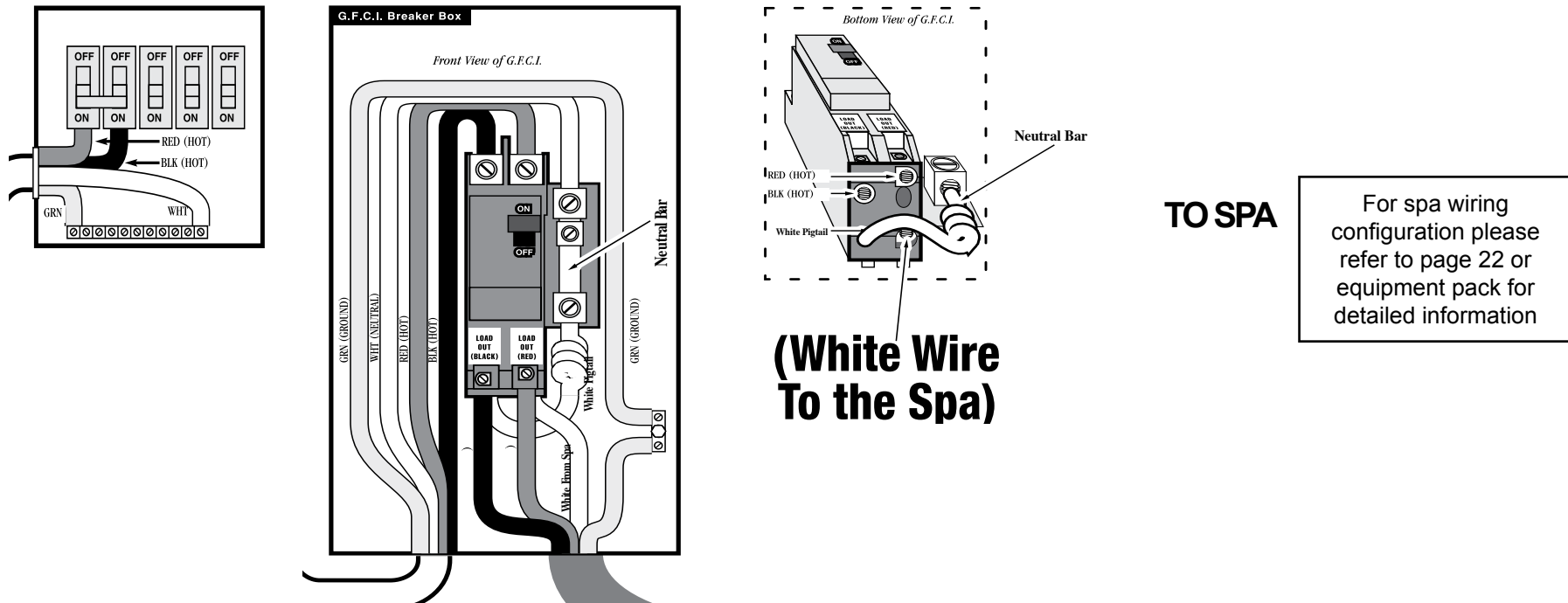
SPA WIRING DIAGRAM

Wiring Requirements

- 2-Hots, 1-Neutral, 1-Isolated Ground
- 4 Wire #6 AWG minimum 75°C copper conductor

Factory Recommended G.F.C.I. Load Center Wiring

Note: The white neutral wire from the back of the GFCI MUST be connected to an incoming line neutral. The internal mechanism of the GFCI requires this neutral connection. The GFCI will not work without it.



⚠ NOTE!

Note: Connection order may vary by pack model, please refer to equipment pack panel for proper connection order.

WIRING CONNECTIONS

Electrical wiring: North American Models

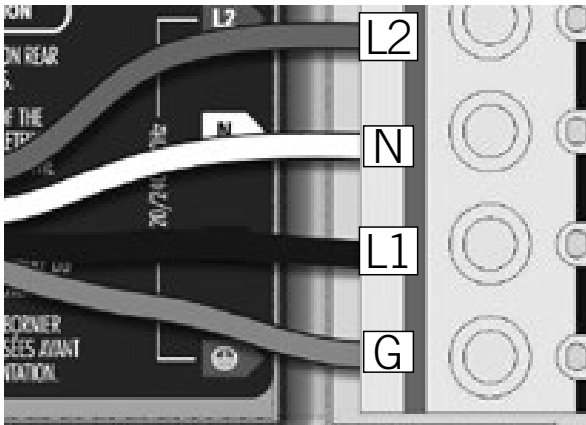
Refer to wiring diagram in the control box lid for more information

Factory Recommended G.F.C.I. Load Center Wiring

Insert each wire into the appropriate socket of the main entry terminal block according to the color code indicated on the sticker. Use a flat-head screwdriver to tighten the screws on the terminal.

After making sure wires are securely connected, push them back into the box and replace the cover. Do not over tighten cover screws (torque to 8 in. lb max {0.9 N.m}).

Connect the bonding conductor to the bonding lug on the front of the spa pack (a grounded electrode conductor should be used to connect the equipment grounding conductors).



240 V (4 wires)

⚠ NOTE!

Note: To convert model to a 120 V system, the white (common) accessory wire must be moved. See wiring diagram for details.

EUROPEAN ELECTRICAL INSTALLATION REQUIREMENT'S

HAVE YOUR ELECTRICIAN READ THE FOLLOWING INFORMATION BEFORE INSTALLATION BEGINS

Electrical connections made improperly, or the use of wire incorrectly sized, may continually blow fuses in the electrical equipment box, may damage the internal electrical controls and components. Any of these conditions may be unsafe and will void the warranty.

It is the responsibility of the spa owner to ensure that electrical connections are made by a qualified electrician in accordance with the National Electrical code / IEC and any local and state electrical codes in force at the time of installation. This product shall be installed in accordance with local codes.

These connections must be made in accordance with the wiring diagrams found inside the control box. This equipment has been designed to operate on 50Hz, alternating current only, 230 volts are required. Make sure that power is not applied while performing electrical installation. A copper bonding lug has been provided on the electrical equipment pack to allow connection to local ground points. The ground wire must be at least 10 AWG copper wire and must be connected securely to a grounded metal surface such as a cold water pipe. The electrical supply for your spa must include a 32 AMP switch or circuit breaker to open all non-grounded supply conductors to comply with section 422-20 of the National Electrical code / IEC. This disconnect must be readily accessible to the spas occupants, but installed at least five feet from the spa but within sight. A ground fault circuit interrupter (GFCI) must be used to comply with section 680-42 of the National Electrical code / IEC. A GFCI is designed to automatically shut off power to a piece of equipment when a current fault is detected.

Power hook-up to the spa must be a 230 volt 4 wire plus ground (10 AWG copper) (Where 3 phase power is used)

Route the cable into the equipment area for final hookup to terminals inside the control panel. To install the wiring for the in.ye spa control, you'll need a Phillips screwdriver and a flat screwdriver. Loosen the 2 screws of the Spa Pack door and open it. Remove 5 1/2" of cable insulation. Strip away 1" of each wire insulation. Pull the cable through the cutout of the box and secure it with a strain relief (1" NPT strain relief; hole diameter: 1.335"). Make sure that only the uncut sheathing is clamped at this opening.

Push the color-coded wires into the terminals as indicated on the sticker and use the flat screwdriver to tighten the screws on the terminals. After making sure wire connections are secure, push them back into the box and close the door. Tighten the 2 screws of the Spa Pack door. Connect the bonding conductor to the bonding lug on the front of the in.xe Spa Pack (a grounded electrode conductor shall be used to connect the equipment grounding conductors). The spa must be hooked up to a "dedicated" 230 volt, 32 amp breaker and GFCI. The term "dedicated" means the electrical circuit for the spa is not being used for any other electrical items (patio lights, appliances, garage circuits, etc.) If the spa is connected to a non-dedicated circuit, overloading will result in "nuisance tripping" which requires resetting of the breaker switch located in the house main electrical panel.

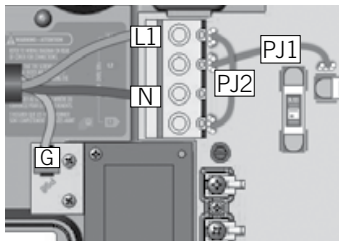
(EUROPEAN) WIRING CONNECTIONS

Electrical wiring: European model

Refer to wiring diagram in the control box lid for more information.

WARNING – European models must always be connected to a circuit protected by a Residual-Current Device (RCD)

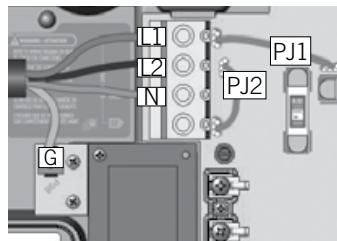
Connect wiring of the electrical service box, RCD, and pack terminal block is essential! Check your electrical code for local regulations. Only copper wire should be used, never aluminum.



1-phase

Connect PJ1 between P7 and P13.

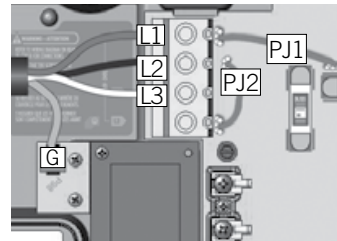
Connect PJ2 between P10 and P74.



2-phase

Connect PJ1 between P7 and P10.

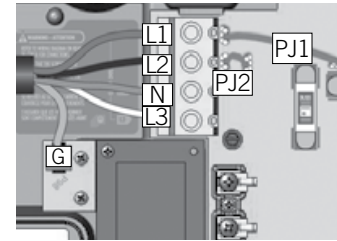
Connect PJ2 between P13 and P74.



3-phase Delta (no neutral)

Connect PJ1 between P7 and P10.

Connect PJ2 between P13 and P74.



3-phase with single neutral

Connect PJ1 between P7 and P10.

Connect PJ2 between P11 and P13.

Insert each wire into the appropriate socket of the main entry terminal block according to the color code indicated on the sticker. Use a flat-head screwdriver to tighten the screws on the terminal.

After making sure wires are securely connected, push them back into the box and replace the cover. Do not over tighten cover screws (torque to 8 in. lb max {0.9 N.m}).

Connect the bonding conductor to the bonding lug on the front of the spa pack (a grounded electrode conductor should be used to connect the equipment grounding conductors).

SET-UP & DELIVERY GUIDELINES

Getting Ready For Delivery & Set-Up Of Your New Spa

Surface and Pad Requirements

Your new portable spa must be placed on a uniformly firm, flat, and level surface. A concrete pad 3" (7.5cm) thick is best. If your spa is located near sprinklers, adjust or cap them so they do not hit the siding of the spa.

However, there are other options available if the proper steps are taken to ensure a uniformly firm, flat, and level surface is achieved. Surface and pad construction must be built in accordance with all local building codes. Failure to install spa on a uniformly firm, flat and level surface may cause damage to the shell structure. Damage due to improper installation is not covered under warranty.

Other option recommendations Stone Dust

Proper Construction consist of:

1. Removing sod and excavating the site to a depth of 4".
2. Allow a minimum of 6" of stone dust clearance around of perimeter of the spa.
3. Install a wood casing to prevent washout from under the spa.
4. Fill with stone dust and compact to a thickness of 6", or 2" above ground level



Example of an installation on stone dust

Wooden Deck

Woods must be constructed to support the weight of the spa filled with water and bathers- generally 80lbs psf.

SET-UP & DELIVERY GUIDELINES

Access & Clearance

- Your spa requires 48" (1.22m) of clearance through gates between house and side fences, and up to 8.5' (2.6m) overhead clearance depending on the size of the unit.
 - The clearance required to turn a corner can be equal to the length of the spa.
 - All debris blocking access to the job site must be removed prior to delivery. Any trimming of trees or bushes, removal of debris, leveling of ground or other general maintenance must be done prior to delivery and is the responsibility of the customer.
-

Getting Ready For Delivery & Set-Up Of Your New Spa

- Proximity to dressing room and bathrooms
 - Storage for spa chemicals
 - This product shall be installed in accordance with local codes.
 - Power cable
 - Clearance Access: In order to better service your spa, clearance for access to spa must be 38 inches (92cm) at equipment compartment and 24 inches (61cm) around the remaining area.
-

General Consideration For Indoor Installation

Installing your spa indoors creates an extremely different set of considerations. Here again, with proper planning, no matter what room your spa goes in, it will be your favorite room.

- Work with your spa dealer and contractor to insure all local building, electrical and plumbing codes are met. This product shall be installed in accordance with local codes.
- Plan for a floor drain to drain off excess water or for draining and cleaning your spa.
- Finished material in your spa room should also be capable of withstanding increased humidity.
- Excess Water: Normal use of the spa causes large amounts of water to splash out of the unit. Depending on the specific installation, additional provisions may have to be made for proper removal of water.
- For spa/hot tubs installed indoors, care should be taken to ensure adequate ventilation for the indoor space, to avoid undesired build of humidity due to spa water. For additional information on ventilation/humidity guidelines see the ASHRAE Handbook, HVAC Applications, I-P Edition, 4.5, 4.6, and 4.7.)
- Spas that include gas-burning heating components, shall be installed in accordance with NFPA 54 or other local codes. This product shall be installed in accordance with local codes.

SAVE THESE INSTRUCTIONS

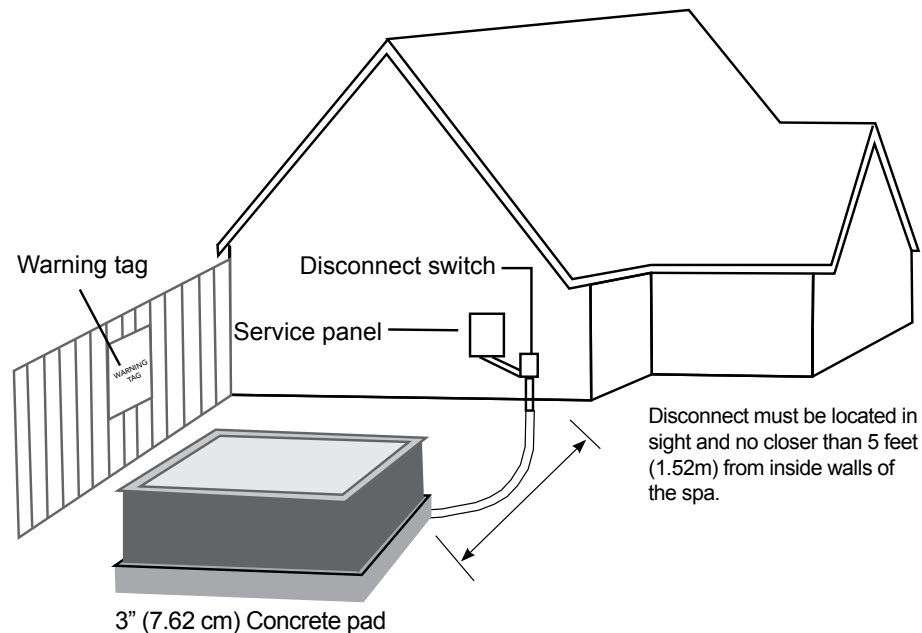
SET-UP & DELIVERY GUIDELINES

Electrical Requirements

- (NA) Your 220 Volt spa pack will require a double pole 60 amp dedicated GFCI, ground fault circuit breaker. (Refer to page 21)
- (EU) Your 230 Volt spa pack will require a dedicated breaker. (Refer to page 24-25)

Caution: Connect only to a circuit protected by a class A ground fault circuit interrupter.

- Extension cords are not to be used in conjunction with operation of the spa. Low voltage damage could result, which is not covered by warranty.
- If you have any doubts, have your electrical system checked by a licensed electrician.
- Use copper conductors only.



⚠ NOTE!

It is the customer's responsibility to acquire necessary permits and to arrange for installation and hook up of the electrical power by a licensed electrician.

GENERAL PRE-OPERATION INSTRUCTIONS

Priming Pump For Electrical Packs

The power pack system is located under the skirting. The equipment can be serviced by simply removing the door. The door is located on the side of the spa where three panels are located, usually on the side of the spa with the lounge, or the side where the topside control panel is located.

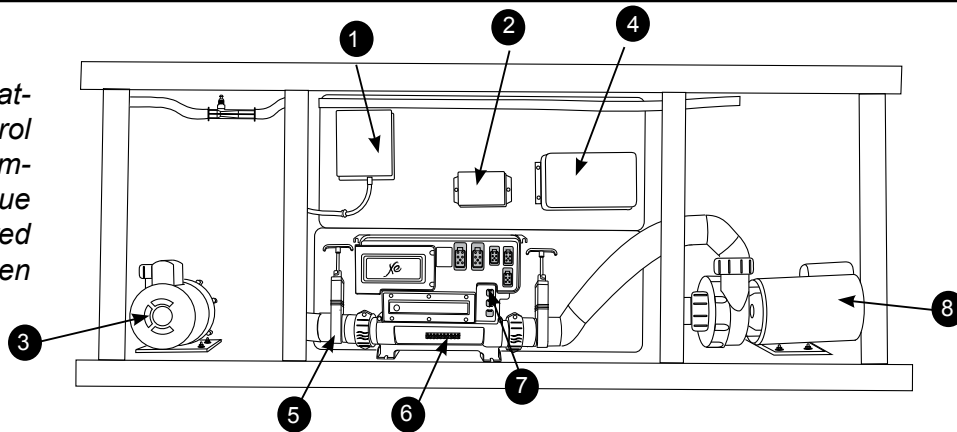
It is important to make sure that all of the air is out of the pump(s) before operating. To do this follow procedures below:

- Turn off power at the breaker
- Make sure the gate valves are open
- Fill the spa with water going through the filter
- Turn the power on at the breaker
- Start the pump on low speed and water should start circulating within one to two minutes. If water does not start circulating, turn pump from low to high until water is flowing.
- If pump still does not prime, please see “Trouble Shooting Guide” located in the back of this manual

⚠ NOTE!

Note: Equipment style and location will vary by model

Set thermostat, located on top side control panel, to desired temperature and continue heating until desired temperature has been reached.



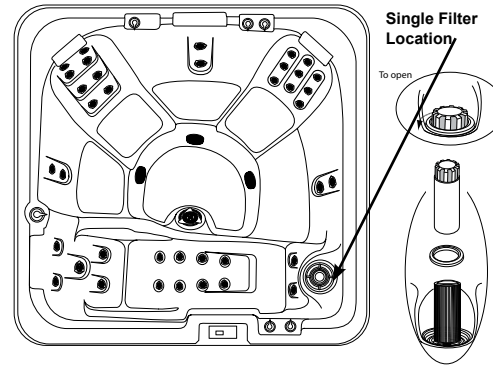
- 1 Ozonator (if equipped)
- 2 LED Controller (if equipped)
- 3 2nd High Performance Pump
- 4 Power Supply (if equipped)
- 5 Gate Valve
- 6 Flow Through Heater
- 7 Equipment Pack
- 8 Dual Speed High Performance Pump

⚠ WARNING!

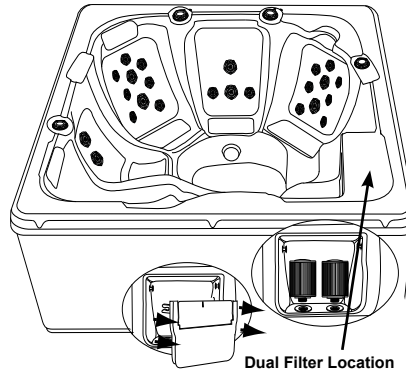
WARNING: Do not run spa with gate valves closed or run pump with no water circulating in spa for long periods. This could damage the spa equipment.

FILTER LOCATIONS

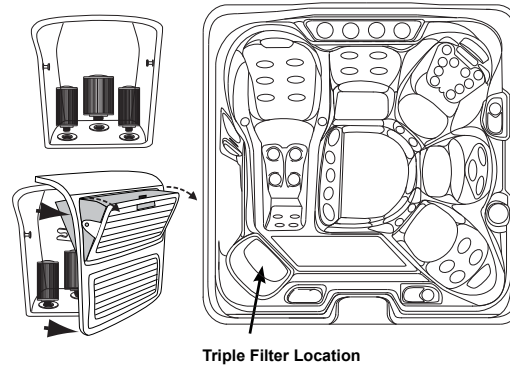
Single or Dual Filter Location (Canister Style)



Single or Dual Filter Location (Enclosed)



Dual or Triple Filter Location (Enclosed)



⚠ NOTE!

Note: Location will vary by model

FILTER MAINTENANCE

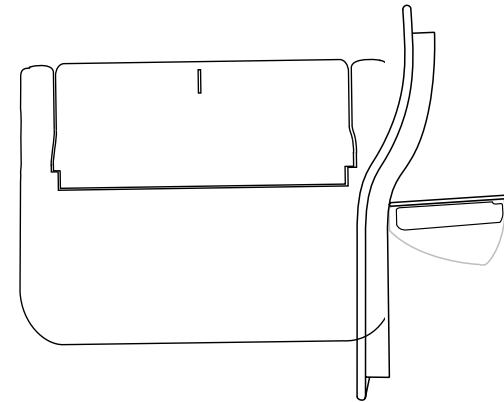
Filtration starts as soon as water flow is steady through the filter. The filter cartridge removes body oil and debris from the spa water, as they can cause flow resistance. A dirty cartridge will decrease flow and may prevent the spa from heating properly. Therefore, regular filter cleaning is essential.

Cleaning And Replacing Filter Cartridge

Your spa filter(s) have been designed for quick and easy maintenance.

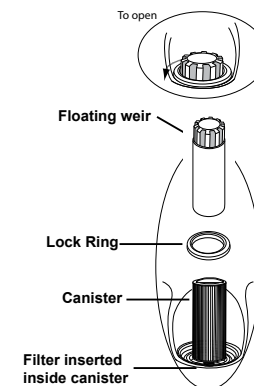
Enclosed Style

- Turn off power at the breaker.
- Open filter door and expose filter cartridge(s) by pulling door toward center of spa until door opens completely.
- Unscrew filter cartridge(s) and remove.
- Clean with a garden hose equipped with a high pressure nozzle, or soak in filter cartridge cleaner if necessary, or at every other regularly scheduled cleaning. Rinse filter thoroughly before installing.
- Screw clean cartridge back into filter enclosure and return filter door to original position.



Open Style

- Turn off power at the breaker.
- Remove basket from filter canister.
- Remove filter cartridge and clean with a garden hose equipped with a high pressure nozzle or soak in filter cartridge cleaner if necessary or at every other regularly scheduled cleaning. Rinse filter thoroughly before installing.
- Place clean cartridge in filter canister
- Replace basket weir in filter canister.



⚠️ NOTE!

Note: The filter should be inspected and cleaned on a monthly basis.

GENERAL SPA MAINTENANCE

SPA COVER CARE

- 1) Use a soft broom to remove accumulation after every snowfall or ice storm.
- 2) Splash cool tap water on the hardware to free them if they become frozen shut. Household lubricating oil will keep the lock free, but apply carefully because it can damage the cabinet finish.
- 3) We recommend a good treatment with vinyl conditioner before the first snow or ice. If possible, treat during the winter too.
- 4) Monitor your water chemistry. Even if the spa is not used regularly, improper water chemistry can cause a mildew build-up on the cover. Clean, PH controlled water will prolong the life of the cover.
- 5) If mildew is found, remove foam cores from the vinyl encasement. Mix 1 gallon of water, a teaspoon of mild dish washing soap and a cup of bleach. With a soft bristle brush, scrub the inside and outside of the vinyl encasement thoroughly. Take a washcloth and wipe down each foam core; rinse thoroughly. Place the encasement in the sun and foam cores in the shade to dry. Once everything is thoroughly dry, spray the cores and encasement with a mildew inhibitor. Allow to dry completely, then reassemble. The key here, of course, is to maintain proper water chemistry to avoid mildew.
- 6) We suggest rotating the cover every six months to maintain even wear. Unzip the cover, remove the foam cores, turn over and reassemble.
- 7) The cover is an important safety feature. Even with normal usage and proper maintenance, the spa cover will over time need to be replaced.
- 8) The spa manufacturer shall provide instructions that the spa shall be secured to protect against unauthorized access per local codes.

Contact your local dealer or visit us online at covers@dynastyspas.com to inquire a replacement cover.

**Ask Your Dealer About Using A Cover Lifter
PROTECT YOUR COVER!**

Proper Maintenance For Your Spa Pillows

Your spa pillows need to be rinsed periodically to remove any chemical residue. This should help to eliminate pillows becoming stiff and discolored. If spa is not to be used for a period of time, pillows should be removed. Pillow life will be extended.

Proper Maintenance For Acrylic

For normal care and cleaning use a soft cloth or sponge with soap and water. Rinse well and dry with a soft clean cloth. If using a household cleaner, make sure it is recommended for use on acrylic by the manufacturer. Never use abrasive cleaners or cleaners with coarse grit, These will dull the surface. Remove any stains with 70% rubbing Alcohol. Rinse well and dry with a soft clean cloth.

GENERAL SPA MAINTENANCE

Proper Maintenance For Your Spa Fountain Jets

- In order to keep your fountain jets operating properly, follow these instructions in sequence:
- Turn off fountain jets
- Remove outer ring by turning face counter clockwise
- Remove internal jet insert with a pair of needle nose pliers.
- Clean plastic filter at the back of the jet insert so all holes are free of debris.
- Reinstall jet insert and outer ring.

NOTE!

We do not recommend the fountain jets be left on when spa cover is closed, this may damage your spa cover.

Proper Care For Stainless Steel Surfaces

It is possible for stainless steel to corrode under the correct adverse circumstances. It is important to maintain proper water chemistry at all times to prevent damage to the stainless steel surfaces, as well as other surfaces, and components.

Stainless steel obtains its resistance to corrosion by a thin coating over the outer surface. In the event this thin coating is damaged or removed, the surface then becomes susceptible to corrosion and rust. This coating can be damaged by the buildup of chemicals most commonly from off gassing chemicals becoming trapped between the cover and the spa water. This coating can also be damaged by using abrasive materials such as steel wool or abrasive cleaners such as household bleach.

The following steps will ensure the stainless steel maintains its resistance to corrosion and long lasting beauty.

1. Ensure proper water chemistry is maintained at all times.
2. Wait 15 to 20 minutes before covering the spa after chemicals have been added.
3. Clean surfaces often with fresh water.
4. Do not use abrasive materials or abrasive cleaners.
5. If using a floater to dispense chemicals, regularly check the sanitizer levels in the spa water to ensure the floating dispenser is not allowing too much sanitizer into the water.

Failure to properly care for and maintain the stainless steel surfaces in the spa may result in rusting or showing signs of corrosion. Rusting or corrosion is not covered by the warranty.

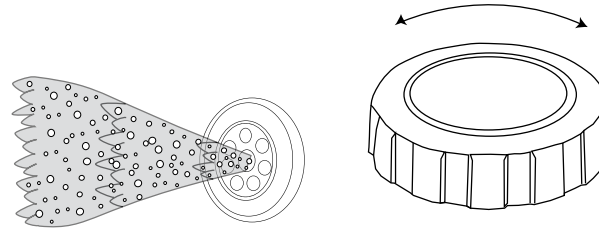
Pump and Heater Unions

- Pump unions and heater unions may need to be tightened periodically. Loose connections are not covered under warranty

SPA TERMINOLOGY

Jets

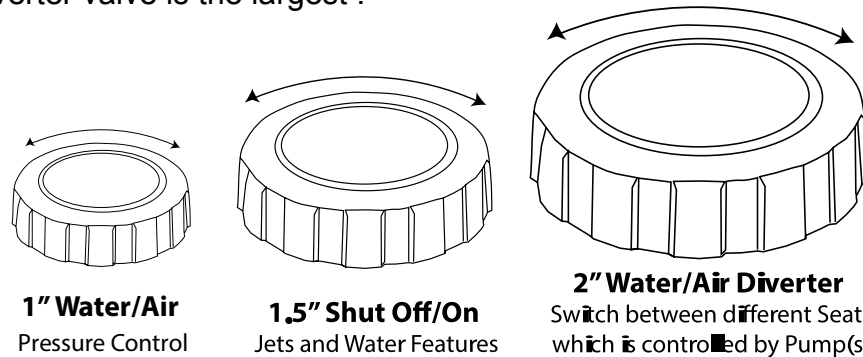
Your new spa features a variety of jet styles. All jets regardless of style return the water to the spa. Air is mixed with the water by using the air controls (if equipped) creating a gentle to most vigorous massage.



Water Diverter Valve

The water diverter valve controls the output of the pump(s) water flow to either side of the spa. It will provide even water flow to all jets if left in the half way position. The purpose of this valve is to increase or decrease the output of one side or another for maximum or minimum water flow in case of one or two person usage. This valve is also used to turn the master massage jet on and off, if so equipped. Colors/ style may vary from drawing. A water diverter valve is the largest of the valve controls.

Although all three controls look similar in appearance, they are easily discernible by size. The air control is the smallest, the on/off valve is medium in size, and the water diverter valve is the largest .



All Water/Air Valves locations vary by spa and style.

On/off Valve, an Air Control, and a Water Diverter Valve.

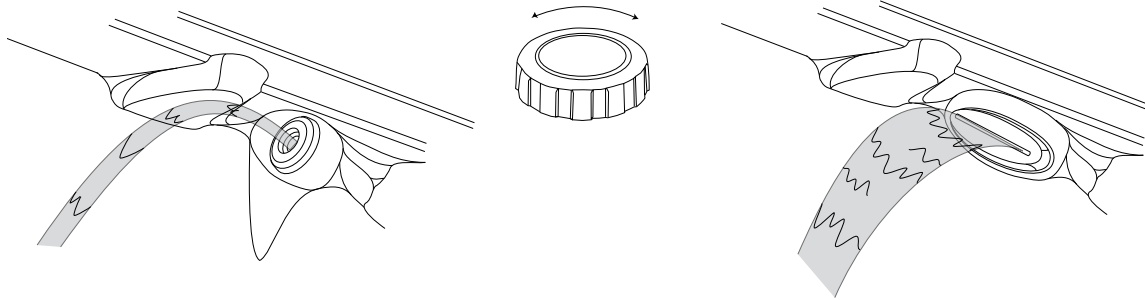
Locations and design will vary on each spa model.

DO NOT TURN WATER DIVERTER WHILE PUMP IS OPERATING.

SPA TERMINOLOGY

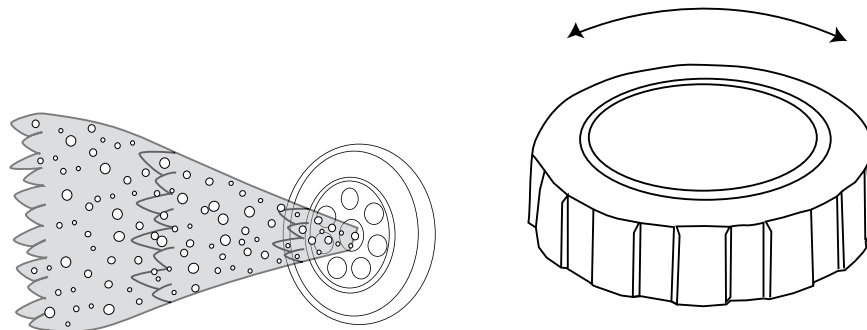
Fountain / Waterfall Controls

If your spa is equipped with optional fountain or waterfalls, they are controlled on/off valve. Turning the on/off valve full counterclockwise will turn the fountain or waterfall on full power, while turning full clockwise will turn the fountain or waterfall off.



Air Control

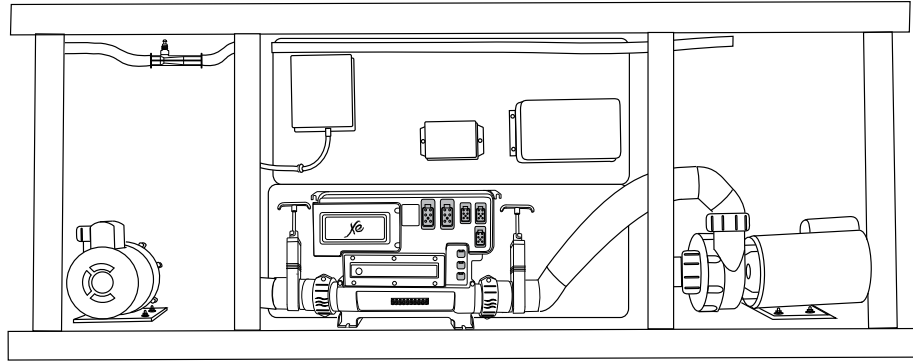
Each spa is equipped with air controls (venturies). The purpose of these controls is to regulate the mixture of air and water that flows through the jets. If an optional blower is installed, air is also pushed through the air controls (venturies) for maximum output. If your spa has a master massage jet located in the foot well, the spa will be equipped with an air control specifically for the master massage jet. This third control operates the same as the others. Colors/style may vary from drawing. An air control is the smallest of the valve controls.



SPA TERMINOLOGY

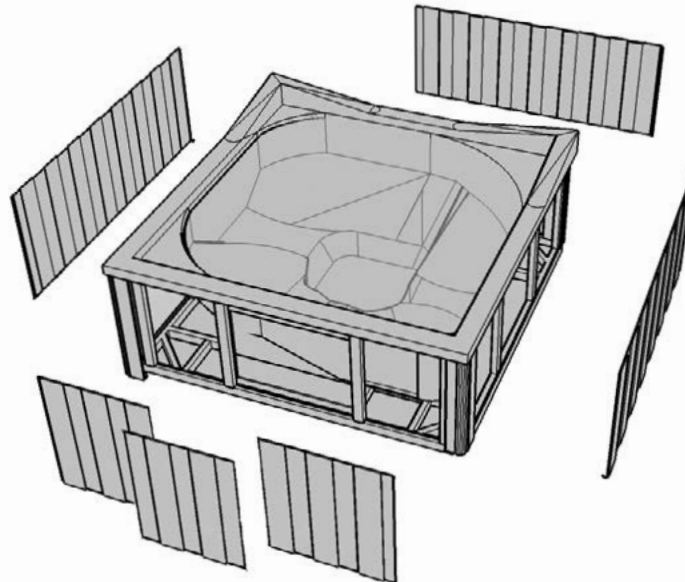
Equipment Access Panel

This is located behind the side panel below the topside control panel, this area houses the major components responsible for the spas operation. The components include the pumps, heater, control panel box, ozonator, and led light system (if applicable). Pump and equipment placement may vary by model.



Cabinet Panels

These are located on all four sides of the spa. All of the panels are removable should service be required.



SPA TERMINOLOGY

Draining Your Spa

Because your spa holds a relatively small amount of water, contaminants such as body oil, perspiration, dirt, hair, etc., may become quite concentrated. For this reason, the water should be drained and replaced every three months depending on use.

- Turn off power at the breaker.
- When water begins to drain out of the hose, be sure to drain the water to a convenient place.



1

The drain is located behind the equipment access panel



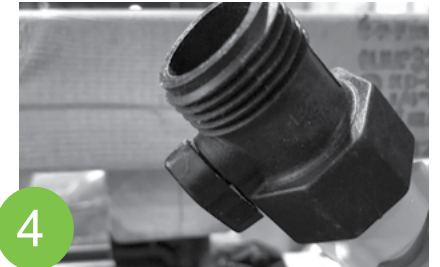
2

Once inside the cabinet, locate the hose with connector



3

Unscrew the cap off of the connector, then screw your garden hose to the threads of the connector.



4

Turn the tab to the open position by aligning it with the tube and connector. This will allow you spa water to flow out.



5

Once your spa has been drained, twist the tab to the closed position. Remove your garden hose, then replace the cap on the connector and simply close up the cabinet door

6

After draining is completed, Wipe down the inside of your spa making sure your surface is dry and free from standing water. We recommend that after draining or cleaning your spa that you put the cover back on. Avoid exposing the acrylic surface to direct sunlight for an extended period of time. Extended exposure can cause surface fading or cracking, which could void the acrylic warranty.

Alternative way to drain your spa. (Use a drain pump (not equipped) that can be purchased at most hardware stores. This makes the drainage much quicker and prevents from removing the cabinet panels.)

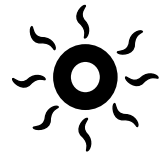
⚠ NOTE!

Note: Be sure that hose is on a downward grade to properly drain spa.

SPA TERMINOLOGY

Spa Light

Your spa light is designed for safety and is located in the interior wall of your spa. The on/off switch is located on the topside control panel.

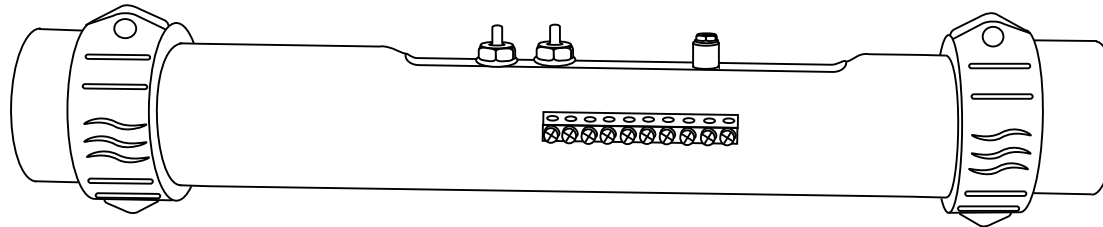


OR



Spa Heater

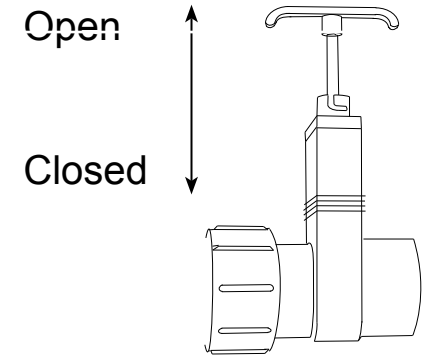
This element is an electric heater housed in a stainless steel tube. It is thermostatically controlled and equipped with a high-limit temperature safety shut-off sensor. The high-limit sensor cannot be reset until the temperature within the heater assembly drops several degrees below the shut-off temperature of 100° (°38 C) (varies by model). Should the high-limit switch trip repeatedly, contact your dealer or qualified service representative to diagnose the problem.



SPA TERMINOLOGY

Gate Valves

Are installed for shut off/on water supply from heater or pump for service. For normal spa operation valves should be in the open position (handle extended is open).



Main Pump

This produces water flow through heater and main jets. Also used for filtration. Can be controlled as desired by pressing the pump or pump 1 Button On Your Topside Control Panel. Refer To Quick Reference Card For Filtration Frequency And Duration.

Secondary Pump (on select models)

This produces water flow through secondary group of jets. Can be controlled by pressing the pump 2 button on your topside control panel.

Third Pump (on select models)

This produces water flow through third group of jets. This pump will be a high speed only. Can be controlled by pressing the pump 3 button on your topside control panel.

Circulation Pump (on select models)

If equipped, this pump is controlled during filtration and heating only, by the topside control configuration. Refer to quick reference card for filtration frequency and duration.

Ozonator (on select models)

Your ozonator will operate in conjunction with your filtration system and circulation pump (if applicable). It will deactivate when any other control function is manually activated and will reactivate after one hour in activity. The ozonator is standard on all spas.

SPA WATER MAINTENANCE

You need to keep your spa clean and ready to use. When you enter your spa, you bring in as much contamination as 50 people would in a normal size swimming pool. Because your spa is such a small, enclosed environment, it needs to be a sanitary place. We accomplish this with a simple three step process:

- 1) Balance
- 2) Filtration
- 3) Sanitation

The water that comes from your tap at home is fine for showers or bathing, because it is drained immediately after use. In a spa, your water is used for up to three months. Hot water is a breeding ground for bacteria, so sanitizing becomes necessary, as well as maintaining a specific mineral balance. Having that mineral balance in place ensures that the water, which is naturally corrosive to metal, will not cause damage to the spa equipment. We recommend weekly water testing using a hot tub water test kit for spas that is readily available from your dealer or online.

When adding chemicals, broadcast the granules across the water while the pumps are running to prevent undissolved solids from settling on the acrylic surface.

Wait 15 to 20 minutes before covering the spa after chemicals have been added.

The spa manufacturer shall provide instructions that the spa water shall be tested and treated in accordance with local codes.

CAUTION!

CAUTION: The use of Tri-Chlor is not recommended for use in spas. Tri-Chlor will cause damage to the acrylic surface and other surfaces in the spa. Damage caused by the use of this chemical is not covered under warranty.

WARNING!

WARNING: Please be careful with chemicals - damage to the surface of the spa can occur due to the improper use of chemicals such as trichlor or chlorine, chemical tablets, acids or spa cleaners. Do not let undissolved chemicals lie on the surface of the spa. Damage from chemical misuse is not covered under warranty. Improper water chemistry balance can damage the spa surfaces and/or equipment, and is not covered under your warranty.

WARNING!

WARNING: Maintain water chemistry. PH Between 7.4-7.5, Alkalinity between 80-120 ppm, Calcium hardness between 200-400 ppm, free available chlorine 1-3 ppm (or Bromine).

SPA WATER MAINTENANCE

Water Testing

Your spa dealer is equipped to perform a thorough analysis of your spa water. Take a one liter sample to the store and they will advise you on the products necessary to properly balance and care for your spa. Unbalanced spa water can quickly damage your equipment. Your spa dealer will advise you on how to protect your investment.

⚠️ WARNING!

Balance

Spa water must have the correct chemical balance. Unbalanced water can irritate eyes, corrode the equipment, leave mineral deposits, and decrease the effectiveness of the sanitizer.

Balanced water means establishing proper balance among total alkalinity, ph, calcium hardness and total dissolved solids.

SPA WATER MAINTENANCE

Problem	Possible Cause	Action
Discolored Water	Green water due to copper getting into water: or MPS (monopersulfate compound) getting into biguanides	Add sequestering or chelating agent. If MPS and biguanides mix, do a major flush.
	Too much bromine.	Leave off cover so bromine dissipates more quickly.
Staining	Possible algae: yellow-green, pink, brown, or black.	Treat with algacide. Worse cases, tetraborates.
	Minerals such as copper or iron making green or brown stains	Add sequestering or chelating agent.
Odor	Bromines or chloramines from non-oxidized organic mater.	Shock with non-chlorine oxidizer such as potassium peroxymonosulfate.
	Moldy dirty cover either inside or out.	Clean cover both inside and out with diluted bleach.

SPA WATER MAINTENANCE

Problem	Possible Cause	Action
Cloudy Water/Haze	Total alkalinity in high range.	Add alkalinity decreaser (acid). Target 100.
	pH too high or too low.	Sprinkle or pour pH adjuster.
	Too little sanitizer in water.	Test and adjust pH & sanitizer to range.
	Fine particles won't filter out.	Add flocculant to skimmer, run pump, then remove & clean filters.
	Circulation Restricted Pump sucking air.	Check skimmer basket; clean. Make sure intakes are open.
	Filter dirty.	Hose off filter: check for tears, fiber breakdown, clogging or collapse: replace.
	Filter cycle too short.	Run filter system 24 hours & re clean and/or run main pump longer each day.
	Total dissolved solids have reached chemical saturation point.	Test TDS at dealer. Drain and refill spa.
	White chips scaling off heater: Calcium level too high.	Drain and inch of water off, add fresh water. Test and adjust calcium to range. Add sequestering agent.
Foam	Air leaking into filter system.	Find and fix leaks; use a pro if necessary. Raise water level above the skimmer opening.
	Detergent in water via soap in swimming suit, or on bathers' body and hair.	Advise spa users to rinse soap off more thoroughly in the shower before getting into spa. Double rinse bathing suits. May be less effort to drain and refill the spa.
	Too little hardness in water.	Add calcium to correct level.
	Too much sanitizer in water. Too much algaecide in water.	Remove some water and add new. Retest. Empty out some water and add fresh.
	If foam is still present.	Squirt defoamer over the water surface.

SPA WATER MAINTENANCE

⚠ WARNING!

Do not leave your water treatment products outside. If subjected to extreme heat or cold, their effectiveness can be impaired.

KEEP ALL CHEMICALS OUT OF THE REACH OF CHILDREN!

WINTERIZING YOUR SPA

⚠ WARNING!

In areas of the country where the temperatures drop below 32° F (°O C), it is important to follow these directions:

When winterizing the spa, we recommend putting RV antifreeze in the spa and running it before draining the spa.

- 1) If the spa is not going to be used, drain completely. Be sure all water is removed. Break or loosen unions at each end of pump to ensure water from pump area is removed. Remove pump freeze plugs if so equipped. Using a shop vacuum, vacuum all jets thoroughly to remove any water left over in the plumbing lines.
- 2) Do not turn unit off with water in the spa. Frozen water may rupture plumbing. **Freeze damage repairs are not covered under warranty.**
- 3) Remove and clean filter cartridge. Store cartridge in a secure place to prevent freezing. If the spa is going to be used, maintain normal operating procedures and ensure cover is in place when not in use.

⚠ NOTE!

Note: Freeze ups or damage caused by freezing are not covered under warranty!

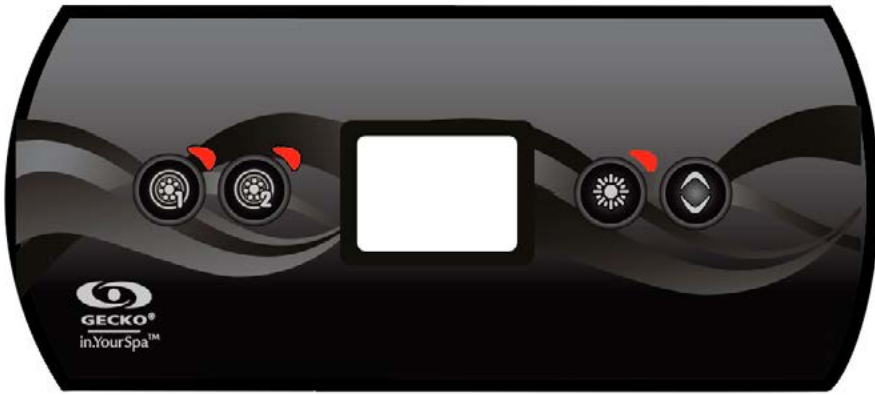
SPRINGTIME START-UP

If your spa has been winterized, the Manufacturer highly recommends that you contact an authorized dealer to restart your spa. The following is an outline of the procedures involved.

- Make sure all o-rings for pumps are in place and undamaged.
- Make sure all the fittings that loosened are re-tighten.
- Replace all jet fittings, pump drain plugs, hose bib drains, and bleeder valves.
- Fill the spa with water in a normal way,
- Run the jets on high for about 15 minutes.
- Drain the water.
- Put the filters back in.
- Refill the system and treat chemically as one would after a normal water change.
- Ensure Pump unions and heater unions are tightened. Loose connections are not covered under warranty

**For more information about winterizing your system,
or restarting a winterized system,
Please contact your local Authorized dealer.**

GENERAL TOPSIDE CONTROLS



**IN.K362 MAIN KEYPAD
LCD DISPLAY, 4 KEYS**




**IN.K506 MAIN KEYPAD
COLOR LCD DISPLAY, 7 KEYS**



**IN.K1000 MAIN KEYPAD
COLOR LCD DISPLAY,
TOUCHSCREEN**

GENERAL TOPSIDE FUNCTIONS


Pump 1 	First Press	Second Press	Third Press
Sequence	Low speed*	High speed*	Off
Indicator	Blink*	On solid*	Off
Default	20 minute time out		
Sequence	Long press of 5 seconds		

Functionally of a long press

A long press of 5 seconds will enable the Off mode. This mode allows you to stop all outputs including all automatic functions such as filter cycle, heat request and Smart Winter Mode purge for **30 minutes** to perform quick spa maintenance. When the Off mode is active, the display will toggle between the “OFF” message, the clock and the water temperature. Press either, **Pump 1 or Pump 2, Blower or Econo** key to restart the system, before the expiration of the 30 minute display.


The spa light will flash a few second before the end of the 30 minutes to warn you to system is about to resume its normal operation. When the system resumes it normal operation, the display shows On for 3 seconds.

• *If equipped with 2 speed pump*


Pump 2, 2 spd. 	First Press	Second Press	Third Press
Sequence	Low speed*	High speed*	Off
Indicator	Blink*	On solid*	Off
Default	20 minute time out		

• *If the controller supports Pump 2, 2 speeds.*


PLEASE NOTE: Symbol Icons may vary.

Pump 2, 1 spd. 	First Press	Second Press
Sequence	On*	Off*
Indicator	On solid*	Off*
Default	20 minute time out	


• *If equipped with Pump 2.*

Blower 	First Press	Second Press
Sequence	On*	Off*
Indicator	On solid*	Off*
Default	20 minute time out	

• *If equipped with a blower.*



Pump 2 and Blower 	First Press	Second Press	Third Press	Fourth Press
Sequence	Pump 2	Pump 2 & Blower ON	Blower ON only	Off
Indicator	On solid*	On solid*	On solid*	Off
Default	20 minute time out			



• *If equipped with blower.*




Pump 3 and Pump 4 	First Press	Second Press	Third Press	Fourth Press
Sequence	Pump 3 High Speed	Pump 3 Pump 4 ON	Pump4 ON only	Off
Indicator	On solid*	On solid*	On solid*	Off
Default	20 minute time out			


• *If equipped with Pump 3 and 4.*

GENERAL TOPSIDE FUNCTIONS

Increase set point 	First Press	Second Press	Holding Key
Display	Spa set point	Increase Set Point by 1 °F	Increase Set Automatically by 1 °F
Limit	N/A	104 °F (40 °C)	104 °F (40°C)
Default	95 °F (35 °C)		
Indicator			

Decrease set point 	First Press	Second Press	Holding Key
Display	Spa set point	Decrease Set Point by 1 °F	Decrease Set Automatically by 1 °F
Limit	N/A	59 °F (15 °C)	59 °F (15°C)
Default	95 °F (35 °C)		
Indicator			



Light 	First Press	Second Press
Sequence	On	Off
Indicator	On solid	Off
Default	2 hour time-out	
Functionality of a long press	Press to hold LIGHT key to access filter menu (up/down keys modify values.)	
	If none of these keys available.  	
Duration	Press LIGHT key to display next parameter, system will reset after last parameter.	

Light 	First Press	Second Press
Parameter	Display	Value of x
Filter Cycle Duration	Fd xx	2 to 10
Filter Cycle Frequency	FF xx	0 to 23
Temperature Unit	F	°F or °C




Water Temperature Regulation

Functionality

In a regulation cycle, the system first generates water flow through the heater housing and the plumbing, in order to ensure accurate water temperature readings as well as avoiding heater activation in dry conditions. After verifying pump activation and taking a water temperature reading if required, the system automatically turns the heater on to reach and maintain water temperature at Set Point.

Indicator		The “heater” indicator lights up when the heater is on.
		Icon flashes when taking water temperature reading.

Smart Winter Mode

Functionality	Turn pumps on when ambient temperature is below 6°C	
Duration	Pumps activate for 1-minute (every 2 hrs or less)	
Indicator	 or  or 	

GENERAL TOPSIDE FUNCTIONS

Filter (Purge)

Functionality Press hold the filter switch until the Clock icon lights up (about 5 second), 1st parameter will appear (Up/Down keys modify values)

Duration Press filter key to display next parameter, system will reset after last parameter.

Parameter	Display	Value of x
-----------	---------	------------

Time (Hour)	xx:30	00 to 12 (AM / PM) hour
--------------------	-------	-------------------------

Time (Minutes)	01:xx	00-59 minute
-----------------------	-------	--------------

Filter or Purge Cycle start time	FS xx PS xx	0 - 12 (AM / PM)
---	----------------	------------------

Filter Cycle duration	Fd xx	0-12
------------------------------	-------	------

Filter or Purge Cycle Frequency	FF xx PF xx	0-4
--	----------------	-----

Economy Activation	Ep xx	0 = Off 1 = On
---------------------------	-------	----------------

Economy Mode start time	ES xx	0-12 (AM / PM)
--------------------------------	-------	----------------

Economy Mode Duration	Ed xx	0-24
------------------------------	-------	------

Temperature Unit	F	F or C
-------------------------	---	--------

Economy F i r s t Second Press Press

Functionality When Economy mode is set, the pack regulates the water temperature 20 °F (11 °C) below actual set point.

Sequence	On	Off
-----------------	----	-----

Display	Display the toggle between Eco and water temperature	noE for 3 seconds
----------------	--	-------------------

GENERAL TOPSIDE DIAGNOSTIC MESSAGES







The list below shows the different error messages that can appear on the home screen.

Refer to the troubleshooting and error codes of the Tech Book for your spa pack system.

Please note that if you are in a swim spa configuration, the message may be followed by “Master” or “Slave” to designate from which pack the error is coming.

CODE	MESSAGE
HL	High Limit circuit is tripped!
FLO	No Flow condition for more than 2 hours
FLO	No Flow Condition
HR	A hardware error was detected (Relay Stuck)
OH	Spa Temperature is Too High
Pr	Temp probes or detection circuit are defective.
ACH	Elevated Internal Temperature
FLC	The Pressure Switch is Closed
SP in	Input Voltage Issue
RH NC	Comm. error between in.xm2 - in.them
RH ID	in.xm2 Fuse #1 is blown
SC ER	Error detected during the learning mode
F1	in.xm2 Fuse #1 is blown.
F2	in.xm2 Fuse #2 is blown.
F3	in.xm2 Fuse #3 is blown.
ER1	Swim Spas Configuration: slave unit is missing
HR	Hardware error was detected (Thermal fuse)
UPL	The spa pack does not have valid software. Please reinsert valid in.stick to reprogram spa pack
CFLO	No Flow Condition
HIBr	Add Fresh Water to the Spa
HIBr	Add Fresh Water to the Spa
LoBr	Add Bromine to spa water
NoBr	Add Bromine to spa water
Comm	Verify cable connections
Supp	Connect power cord in 240V source

GENERAL TOPSIDE DIAGNOSTIC MESSAGES & INSTRUCTIONS

	<p>An Internal hardware error has been detected in in.xe.</p> <ul style="list-style-type: none"> • Restart the spa pack and start and stop all pumps and blower. • If error reappears, replace in.xe spa pack.
	<p>Water temperature at the heater has reached 119°F. DO NOT ENTER SPA WATER!!!</p> <ul style="list-style-type: none"> • Restart the spa pack. • If error persists, measure the temperature with a digital thermometer and compare. Its reading with temp. On the display. Make sure the temp. Reading is lower than 119°F. • If problem persists, replace pack.
	<p>Temperature inside the spa skirt is too high, causing the internal temperature in the in.xe to increase above normal limits.</p> <ul style="list-style-type: none"> • Remove spa skirt and let system cool down, until the error clears.
	<p>The system did not detect any water flow while the main pump was running.</p> <ul style="list-style-type: none"> • Make sure valves are open and that water level is high enough. • Check and remove anything obstructing the filter. • Make sure there are no air locks or that no object obstructs the passage of the water in the heater channel. Pumps may make strange noises. Follow air lock procedure to clear them.
	<p>The Prr error message indicates a problem with regulation probe. The system is constantly verifying if temperature probe reading is within normal limits.</p> <ul style="list-style-type: none"> • Verify if regulation probe located above the heater is properly connected. • Replace in.xe heater is problem persists.
	<p>Water temperature in the spa has reached 108°F. DO NOT ENTER SPA WATER!!!</p> <ul style="list-style-type: none"> • Measure the temperature with a digital thermometer and compare its reading with temp on the display. If temp reading is different, replace heater. • Remove spa cover and let spa cool down. • Add cold water and lower filter cycles. • If problem persists replace pack.

TROUBLESHOOTING

NO HEAT OR HEAT TOO LOW			
Probable Cause #1	<i>Dirty Filter</i>	Action	<i>Remove Filter Cartridge and Clean.</i>
Probable Cause #2	<i>Breaker at house off.</i>	Action	<i>Reset breaker at house. Breaker can appear to be on and one pole can be off. Turn breaker OFF then ON twice.</i>
Probable Cause #3	<i>Pump not primed.</i>	Action	<i>Refer to the section of this manual on pump priming.</i>
Probable Cause #4	<i>Improper line voltage.</i>	Action	<i>Have a licensed electrician check the line voltage.</i>

SPA LIGHTS WON'T COME ON			
Probable Cause #1	<i>No water to pump.</i>	Action	<i>Replace bulb (non-warranty)</i>
Probable Cause #2	<i>Dirty Connection.</i>	Action	<i>Check to see if there is anything covering the connection on the housing that holds the light bulb.</i>

PUMP WILL NOT PRIME			
Probable Cause #1	<i>No water in pump</i>	Action	<i>Make sure water level i spa is correct.</i>
Probable Cause #2	<i>Closed Gate valves or blocked lines.</i>	Action	<i>Open all gate valves. Check suction for blockage.</i>
Probable Cause #3	<i>Pump surges , jets lose and gain power, loose union or drain plus.</i>	Action	<i>Check Union on front or nose of pump to ensure tightness.</i>

JET(S) WONT COME ON			
Probable Cause #1	<i>Pump not primed.</i>	Action	<i>Refer to the section of this manual on pump priming.</i>
Probable Cause #2	<i>Gates valves closed..</i>	Action	<i>Check to see if gate valves are in the correct position. Check to see that pump is plugged in.</i>
Probable Cause #3	<i>Water Diverter valve not adjusted correctly.</i>	Action	<i>Turn water diverter valve until desired water flow is obtained.</i>
Probable Cause #1	<i>Individual jet is closed.</i>	Action	<i>Turn the outer jet housing clockwise to turn jet on.</i>

LOW WATER FLOW			
Probable Cause #1	<i>Dirty Filter.</i>	Action	<i>Remove filter cartridge and clean.</i>
Probable Cause #2	<i>Closed gate valves or blocked lines.</i>	Action	<i>Open all gate valves.</i>
Probable Cause #3	<i>Low voltage or incorrect voltage.</i>	Action	<i>Have a licensed electrician check the line voltage.</i>

TROUBLESHOOTING

SPA IS LEAKING

Probable Cause #1 <i>Loose Connections</i>	Action <i>Hand Tighten all disconnects and fittings. Check Joints and unions.</i>
---	--

MOTOR DOES NOT RUN

Probable Cause #1 <i>No power to motor.</i>	Action <i>Check power switches and circuit breakers. Check motor plug where plugged into control box.</i>
Probable Cause #2 <i>Pump jammed from foreign matter in impeller.</i>	Action <i>Call dealer for recommended action.</i>
Probable Cause #3 <i>Motor overheats on hot days while filtering.</i>	Action <i>Reprogram your controls to cycle during the coolest parts of the day and on shorter cycles. (see programming instructions).</i>

MOTOR RUNS HOT

Probable Cause #1 <i>Pump ran dry.</i>	Action <i>Call dealer for recommended action.</i>
Probable Cause #2 <i>Restricted suction lines.</i>	Action <i>Make sure all valves are open/clear suction of debris.</i>
Probable Cause #3 <i>Improper ventilation</i>	Action <i>Insure that vents on side of spa are free and clear of any debris or landscaping. Spa should also be located an adequate distance from any walls or fencing for good ventilation.</i>

STEREO ISSUES - PLEASE REFER TO MANUAL (PROVIDED)

NOTE!

Note: The pump motors will feel hot to the touch. This is normal. The Overheat Sensor will turn the motor off if there is an overload or high temperature problem.

Limited Warranty Summary

Please refer to the warranty card included with your product for complete warranty information. In order to receive prompt warranty service, you must register your spa - ask your dealer about registering. The spa manufacturer provides a limited warranty to our customers. It applies to the spa structure, surface, plumbing, pumps, heater, blower, and controls. The limited warranty does not cover damage resulting from improper maintenance, improper installation, misuse, abuse, accident, fire, normal acts of God, wear and tear, or improper water maintenance. Unauthorized modifications of the spa may void the warranty. Replacement costs associated with transportation, removal, and re-installation are the sole responsibility of the spa owner.

We reserve the right to make changes in design or material of its products at any time without incurring liability. This limited warranty applies to the first retail purchaser and terminates upon any transfer of ownership.

Disclaimer:

The information in this manual is accurate to the best of Dynasty Spas knowledge. However, Dynasty Spas, Inc. assumes no responsibility for errors or omissions. Nor is any liability assumed for damages resulting from use of the information contained herein.

At the time of print, this manual is accurate in its information. Dynasty Spas reserves the right to change to improve its product without prior notice. To check on updated or for other information, please visit www.dynastyspas.com and follow the links to the owners hub section.

All rights reserved. Manufacturer reserves the right to make product modifications and enhancements. Rev date: 01232026

Safety Sign

The safety sign enclosed with your owner's manual packet should be permanently installed where visible to all users of the spa. It is very important that you, as a spa owner, review the important safety instructions and warnings before you operate your spa. It is equally important that you instruct all users, even occasional ones, as to the warnings associated with spa use.

Installer

Company: _____

Address: _____

Phone: _____

Warranty Submission Date: _____

**PLEASE REGISTER YOUR SPA ONLINE AT
WWW.REGISTERMYWARRANTY.COM**

Model: _____

Serial Number: _____

Equipment Pack: _____

Color: _____

Date of Delivery: _____

**Spa Manufacturer
101 Dynasty Way
Athens, TN USA 37303**

